

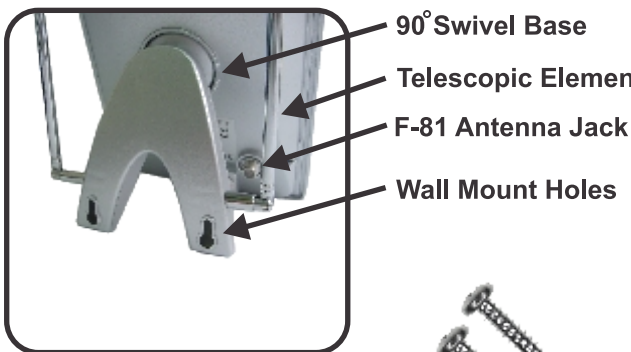


Part No: 75-701 Indoor Amplified ATSC HDTV, FM Antenna

Calrad's 75-701 digital indoor amplified ATSC digital HDTV, FM antenna has a sleek and slim profile design that provides excellent reception of off air HDTV signals. The antenna can rotate 90 degrees for users to adjust the direction for optimal performance. Included accessories: 10 ft. male 'F'-'F' coax cable, DC power injector, DC power supply, two mounting screws.

Features

- VHF, UHF, FM Reception
- Low Noise Head-In Amplifier Technology
- Supports Coaxial Cable Powering
- Applications: DVB-T Reception, ATSC Reception, ISDB-T Reception, DMB-T Reception DBM-T, ISDB-T, ATSC, HDTV, DVB-T Compatible
- Desktop or Wall Mount Design



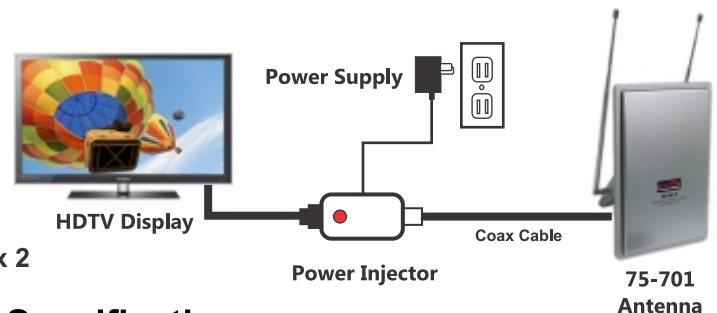
75-701 Rear View



Mounting Screws



10 Ft. Coax Cable Male to Male



Specifications

VHF Frequency: 47-83, 113-230 MHz
 VHF Low & Hi Isolation: 20 min. dB
 UHF Frequency: 470-890 MHz
 VHF Gain: 28 dB
 UHF Gain 26 dB
 Noise Figure: 4 dB
 RF Output Impedance: 75 Ω
 Power Requirement: DC +5V/40mA
 Product Weight: 1.8 lbs
 Size: H-8.25" x W-5.5" x D-2.75"
 Case: Silver PVC Plastic

Included Accessories

Adapter: AC120V/12Vdc/100mA
 RF Cable: 'F' Male to 'F' Male 10 Ft. x 1
 Power Injector: Frequency: 47-890 MHz, Insertion Loss: <2 dB,
 DC: Input 9-12Vdc: Output 5Vdc (Antenna)
 Telescopic Antenna length: 27", Adjustable
 Mounting Hardware, 2 x Screws